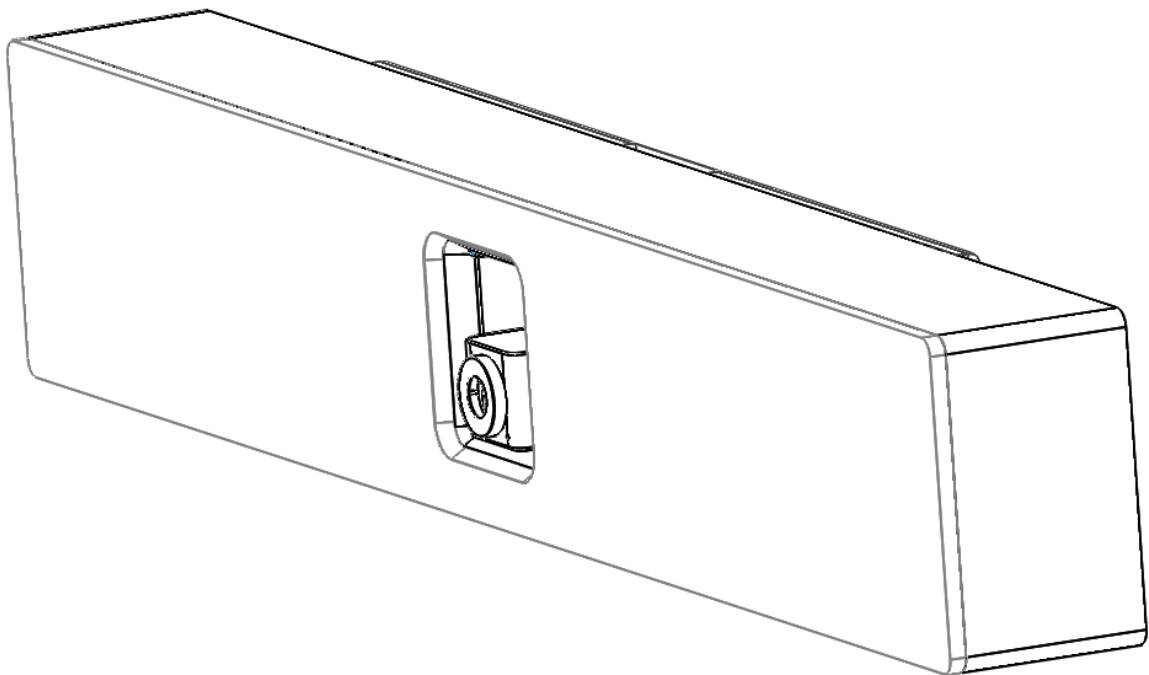


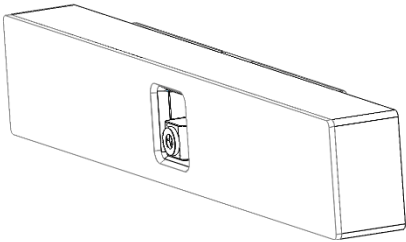
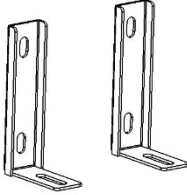

Manual

Passive Collaboration Soundbar

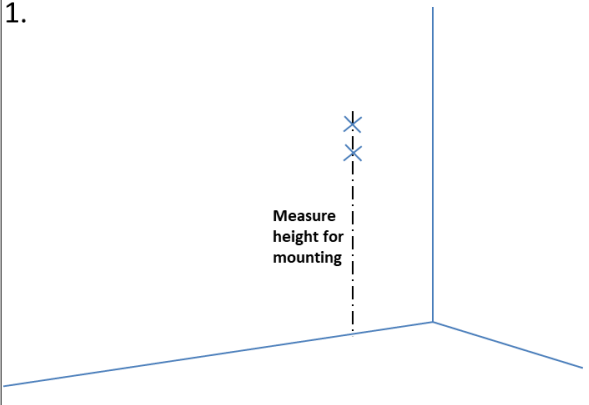
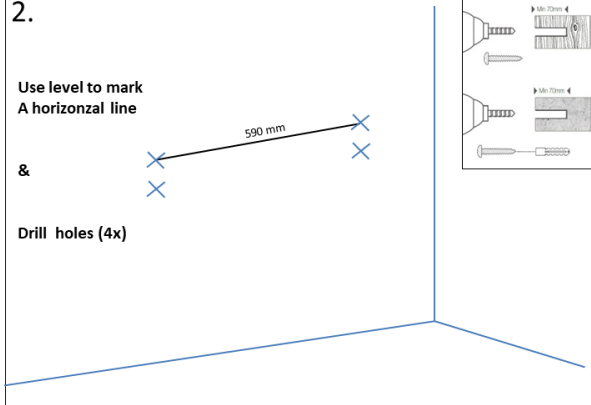
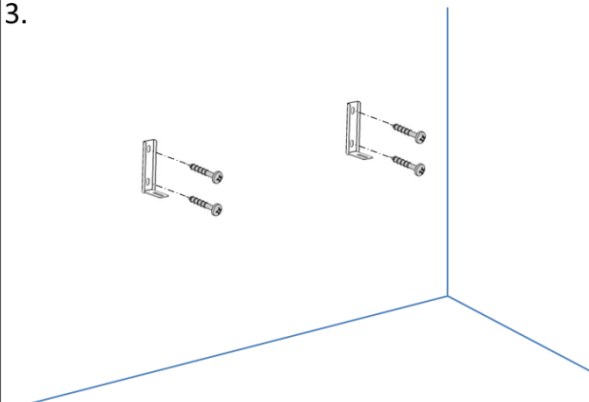
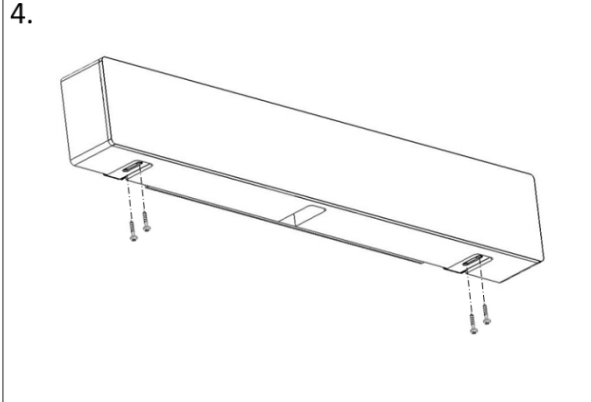
SP-PSCM



1) Delivery

| | |
|---|---|
|  <p><u>Collaborative Soundbar</u> including <u>2x USB-Cable</u> + <u>Audio Cable</u></p> |  <p><u>Wallmount</u></p> |
|  <p><u>4x M3 Screws + washers</u></p> | |

2) Assembly to the wall

| | |
|--|--|
| <p>1.</p>  <p>Measure height for mounting</p> | <p>2.</p> <p>Use level to mark A horizontal line</p> <p>590 mm</p> <p>&</p> <p>Drill holes (4x)</p>  <p>Min 12mm ϕ</p> <p>Min 12mm ϕ</p> |
| <p>3.</p>  | <p>4.</p>  |

3) Connection

| | | |
|----------------------|---|-------------------------------------|
| Camera USB (3.0) | → | USB port 2.0 of the external device |
| Microphone USB (2.0) | → | USB port 2.0 of the external device |
| Audio cable | → | Build in amplifier of the display |

4) Devices

| | | |
|------------------|---|----------------------|
| Playback device | → | <i>TV-Screen</i> |
| Recording device | → | "2 – Phnx MT103_16k" |